



**Temexpress - Crystal Unit
Tuning Fork
QETF26 - QETF38
QETF26 SMD**

QETF_D
11-09-2001

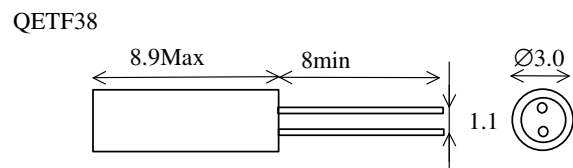
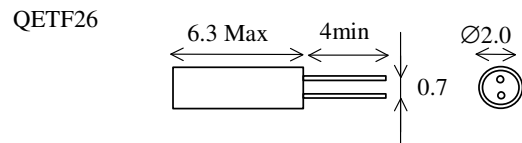
Frequency : 32.768 kHz

Features

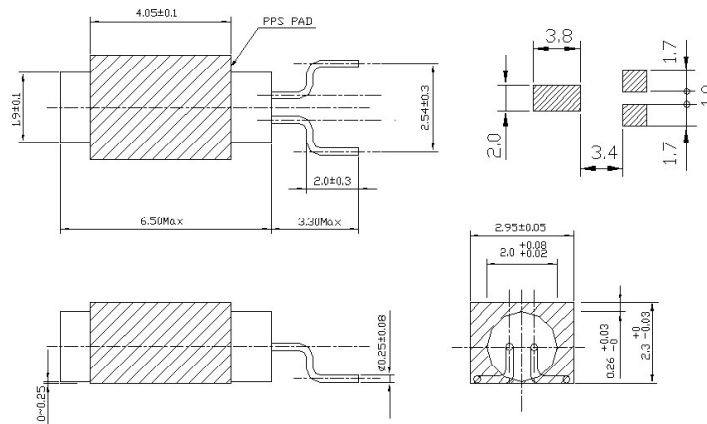
Operating Temperature: -10°C to +60°C
 Tolerance at 25°C: ±20 ppm
 Temperature stability: -0,042ppm/(Δ°C)² Max
 parabolic, turn over temperature at 25°C±5°C

Aging @ 25°C: ±3 ppm/year max
 Storage temperature range: -20°C to +70°C
 Shunt Capacitance C0: 0.85(typ), 2 pF Max.
 Drive level: 1 μW max
 Load Capacitance CL: 12.5pF (typ)

Package size (in mm)



QETF26 S



ESR table

Frequency	Type	Max ESR (Ω)
32.768kHz	QETF26 / 26S	50kΩ Max
32.768kHz	QETF38	35kΩ Max

Minimum Ordering Information Requirement

QETF-26-32.768kHz

Package

- 26: 2x6mm
- 38: 3x8mm
- 26S: 2x6 SMD

Frequency

Delivery in bulk for QETF26 and QETF38
 Delivery in Tape and Reel for QETF26S, 3kpcs min

Marking for QETF26 / QETF38 / QETF26S

no marking

Specifications are subject to change without notice

For more information, visit our web site at <http://www.temexpress.com>